

Dual-spectrum PTZ Camera

PC264T1



Product Features

- Clearer imaging with the latest generation 12 μ m uncooled infrared detector and leading infrared image algorithm.
- Visual and thermal dual-spectrum imaging, meet the needs of 24/7 safety surveillance.
- Support intelligent behavior analysis, such as dual-spectrum tripwire intrusion and region intrusion detection.
- Support professional temperature measurement analysis tools and intelligent fire detection algorithm.
- 4.5KG lightweight, high speed, high precision Pan/Tilt with encapsulation rating IP66.
- Support high speed Gigabit network communication, single IP & dual channel solution.
- Provide NVR and software, support standard ONVIF protocols, provide SDK for secondary development.

Product Specifications

Technical Specifications		Dual-spectrum PTZ Camera			
Thermal	Sensor	VOx Uncooled FPA detector			
	Resolution	640×512			
	Pixel Pitch	12μm			
	Spectral Range	8 ~ 14μm			
	NETD	≤35mK(@25°C,F#1.0,25Hz)			
	Focal Length	13mm	25mm	13mm	25mm
	Focusing Type	Athermal fixed focus		Auto/Manual/One-shot focus	
	FOV	33°×26°	17°×14°	33°×26°	17°×14°
	IFOV	0.92mrad	0.48mrad	0.92mrad	0.48mrad
	F#	F1.0			
	Color Palettes	20 palettes selectable such as Blackhot/Whitehot/Rainbow,etc.			
Optical	Sensor	1/1.8inch 4MP CMOS sensor			
	Resolution	2688×1520			
	Focal Length	6.5mm~130mm			
	Focusing Type	Auto / Semi-auto/Manual			
	FOV	59.6°×35.9°~ 3.2°×1.8°			
	Min. Illumination	Color: 0.001Lux/F1.5; B/W: 0.0001Lux/F1.5			
	WDR	≥ 55dB			
	Day/Night	ICR Infrared Filter Type			
Pan/Tilt	DNR	3D NR			
	Pan Range	360° continuous rotate			
	Pan Speed	Configurable:0.1° ~ 100°/s			
	Tilt Range	-90° ~ +90°			
	Tilt Speed	Configurable:0.1° ~ 60°/s			
	Presets	1024			
Network	Scanning Mode	Presets, Tour, Pattern, Linear Scan, Area Scan			
	Protocols	IPv4/v6,HTTP,HTTPS,802.1x,QoS,FTP,SMTP,UPnP,S NMP,DNS,DDNS,NTP,RTSP,RTCP,RTP,TCP,UDP,IG MP,ICMP,DHCP			
	Interoperability	ONVIF,CGI			
	Simultaneous Live View	Up to 20 channels			

Technical Specifications		Dual-spectrum PTZ Camera
	User Management	Up to 20 users,3 levels: administrator, operator and user
	Browser	IE browser and multiple languages (Chinese and English)
	Video Compression	H.264/H.265/MJPEG
	Audio Compression	G.711A/G.711Mu/PCM/AAC/MPEG2-Layer2
	Main Stream	Visible: 50Hz:25fps(2688×1520,1920×1080,1280×720); 60Hz:30fps(2688×1520,1920×1080,1280×720); Thermal: 50Hz:25fps (1280×1024,1024×720); 60Hz:30fps (1280×1024,1024×720);
	Sub Stream	Visible: 50Hz:25fps(1920×1080, 1280×720,704×576, 352×288); 60Hz:30fps(1920×1080, 1280×720,704×480, 352×240); Thermal: 50Hz:25fps(1280×1024,1280×720,704×576, 640×512); 60Hz:30fps(1280×1024,1280×720,704×480, 640×512);
Temperature Measurement	Measuring Range	-20°C ~ +55°C
	Measuring Accuracy	±2°C or ±2% (the greater value shall prevail)
	Temperature Measurement Analysis	Temperature measurement rules and alarm linkage such as full frame, point , line , region
Smart Functions	Fire Detection	Support dynamic fire detection,
	Cold Spot& Hot Spot Trace	Support
	Smart Video Recording	Supports network disconnection resume function to ensure no video loss
	Smart Alarm	Support alarm trigger of network disconnection, IP address conflict, SD card full, SD card error, illegal access and abnormal audio and burn damage
	Smart Detecting	Intelligent video analysis functions such as regional intrusion, cross-border intrusion, item leftover, item moving, and personnel wandering
	Alarm Linkage	Recording/Snapshot/Sending Email/PTZ linkage/Alarm output
System Interface	Power Supply	DC 24V
	Communication Interface	RJ45 self-adaptive 10M/100M Ethernet port

Technical Specifications		Dual-spectrum PTZ Camera
	Audio Input	1channel
	Audio Output	1channel
	Alarm Input	2 channels
	Alarm Output	2 channels
	Storage Interface	Support Micro SD card(Max.256G)
	RS485	1channel, and support Pelco protocol
General	Work Temperature/Humidity	-40℃ ~ +70℃ ; <90%RH
	Protection Level	IP66,TVS 6000V lightning protection, surge protection;
	Power Consumption	7W when PT is static, maximum consumption is less than 30W
	Dimension(mm)	358×166×203mm (L×W×H)
	Weight	4.5KGS

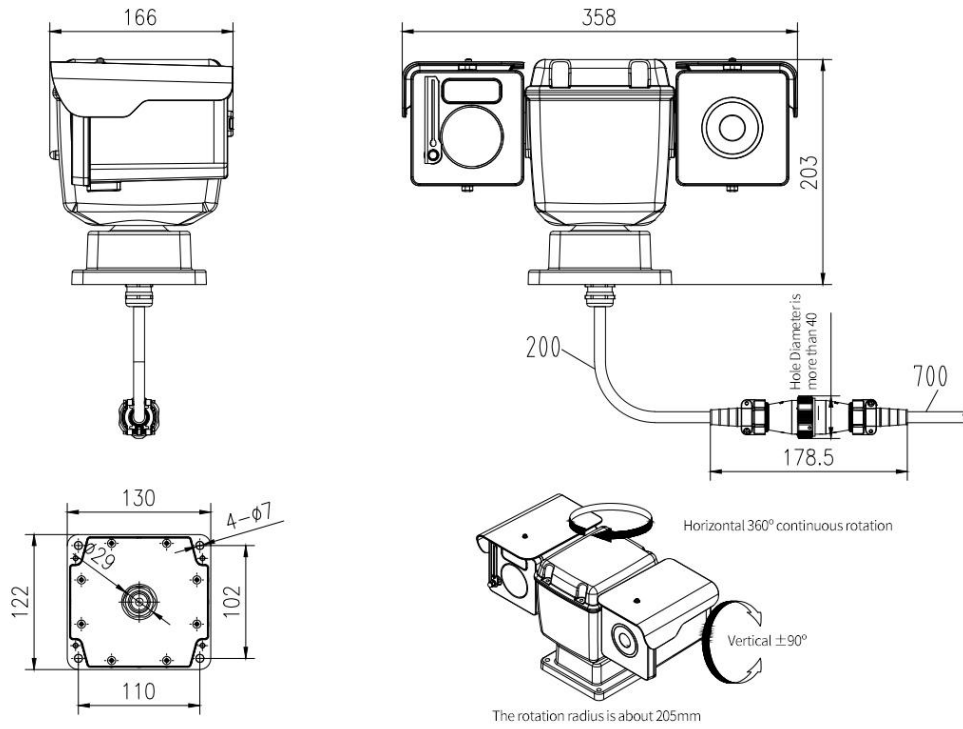
Effective Range

The recommended distance of detection, recognition and identification for human (1.8×0.5m) and vehicle (1.4×4.0m) are as follows:

- DD stands for Detection Distance;
- RD stands for Recognition Distance;
- ID stands for Identification Distance;

Lens	DD (Vehicle)	DD (Human)	RD (Vehicle)	RD (Human)	ID (Vehicle)	ID (Human)
13mm	1661m	542m	415m	135m	208m	68m
25mm	3194m	1042m	799m	260m	399m	130m

Structural Drawings



This datasheet is subject to change without prior notice. Please contact us to get the latest datasheet.